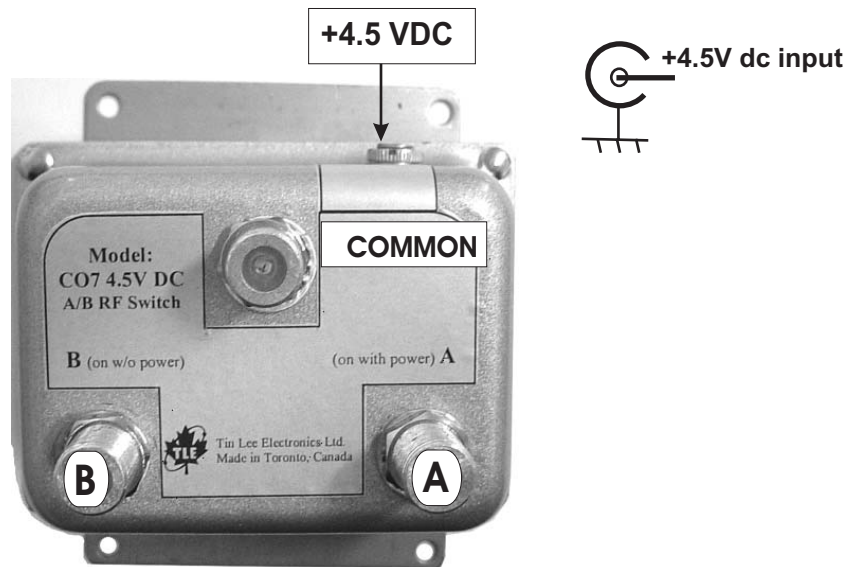


Model CO7 4.5VDC A/B Switch 75 ohms

Description

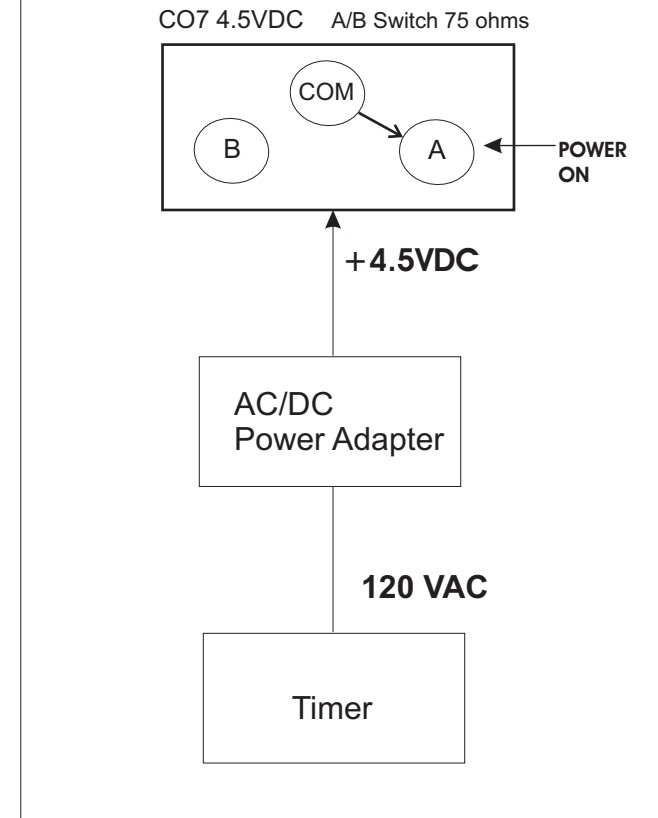
Model CO7 4.5VDC is a voltage controlled RFswitch. It can be controlled with +4.5VDC. Use in conjunction with DC power adapter and Timer for remote-timed switching.



Specifications

Operating Bandwidth:	5 to 1000 Mhz
Isolation:	60 dB min
Return Loss:	16 dB min
Impedance:	75 ohms (50 ohms optional)
Insertion Loss:	.5 dB max
Connectors:	F type female (others optional)
Dimensions:	3 1/8" x 3 1/8" x 1 3/8" (inch)
Switch type:	Non-Latching
Switch Activating Voltage:	+4.5 VDC recommended
Contact Form:	SPDT

Example Application



Operation

Port B is connected to COM when power is off.
Port A is connected to COM when power (+4.5 VDC) is applied to unit, and, Port B is off.